



**ALL THE GREAT THINGS
ARE SIMPLE.**

Company presentation
copyright 2023

TreeSystem s.r.l.

Registered office: Via Moraro 22, Pozzonovo (PD)
Head office: Via E. Bernardi 2, Arre (PD)



INDEX



PART 1

The Company - p.03

PART 2

Introduction: features and benefits - p.06



PART 3

Types of soil - p.07

PART 4

Our products - p.12

PART 5

Contacts - p.21

TREESYSTEM: THE COMPANY

TreeSystem s.r.l. was established in 2010 and developed around a revolutionary idea of fixing to the ground.

The intuition dates back to 2009, and after a period of specific tests that certified its validity, application for national and international patent has been done.

The headquarter in Pozzonovo (PD) becomes a hub for design, production and international sale of ground mounting structures built using the patented TS anchoring system.

In 2021 the company opens the new headquarter and warehouse in Arre (PD) in response to the increase in demand and in view of an expansion of work volumes.



More than 3500 installations worldwide



South Sudan - 3.7 MW



Italy - 17.2 MW



Hungary - 12 MW



Turkey - 1 MW



Malta - 7.6 MW



Australia - 1.5 MW



Taiwan - 8 MW



Senegal - 12 MW



Netherlands - 1.6 MW



Japan - 3.5 MW



Netherlands - 4.5 MW



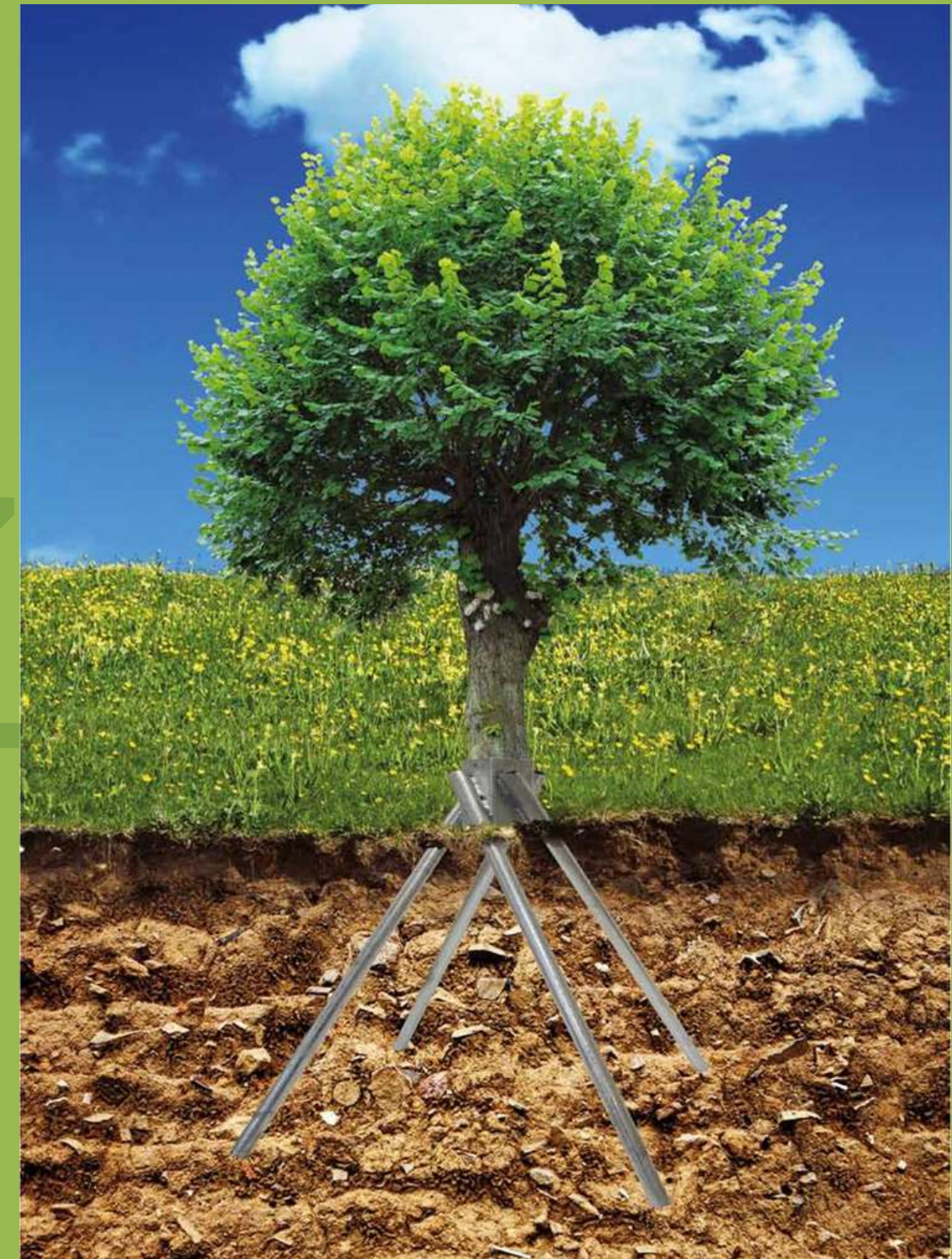
Germany - 9 MW

THE ANCHORING DEVICE

Treesystem offers a revolutionary concept of ground mounting solution. The anchoring device replicates the function of the tree's roots, giving the structure high resistance once anchored to the ground.

The system's high efficiency and reliability are combined with rapid installation and a competitive price in the target market.

TreeSystem has solutions for a wide range of uses: PV systems, carports, fences, road signalling, without mentioning its versatility on extreme ground conditions (rocky, sandy, soft soil), or on sites with special features like depth limit or steep slopes.



WHY USING TREESYSTEM?

- No need of concrete
- No use of ramming machine or special equipment
- The electro-pneumatic hammer is sufficient for installation
- Suitable for different ground types, for example sandy, rocky, soft soil etc.
- Perfect for landfills or reclaimed dump areas with limited depth availability
- Quick and easy installation
- Possibility to install it on steep slopes (till 40°- 45° slope tilt)
- High performances

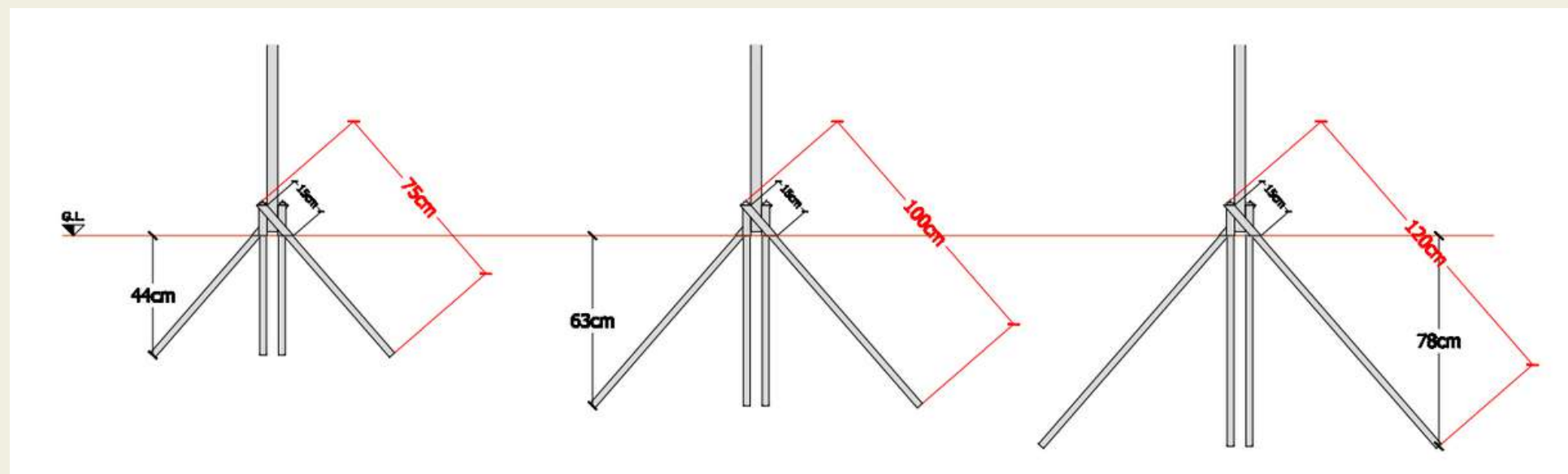
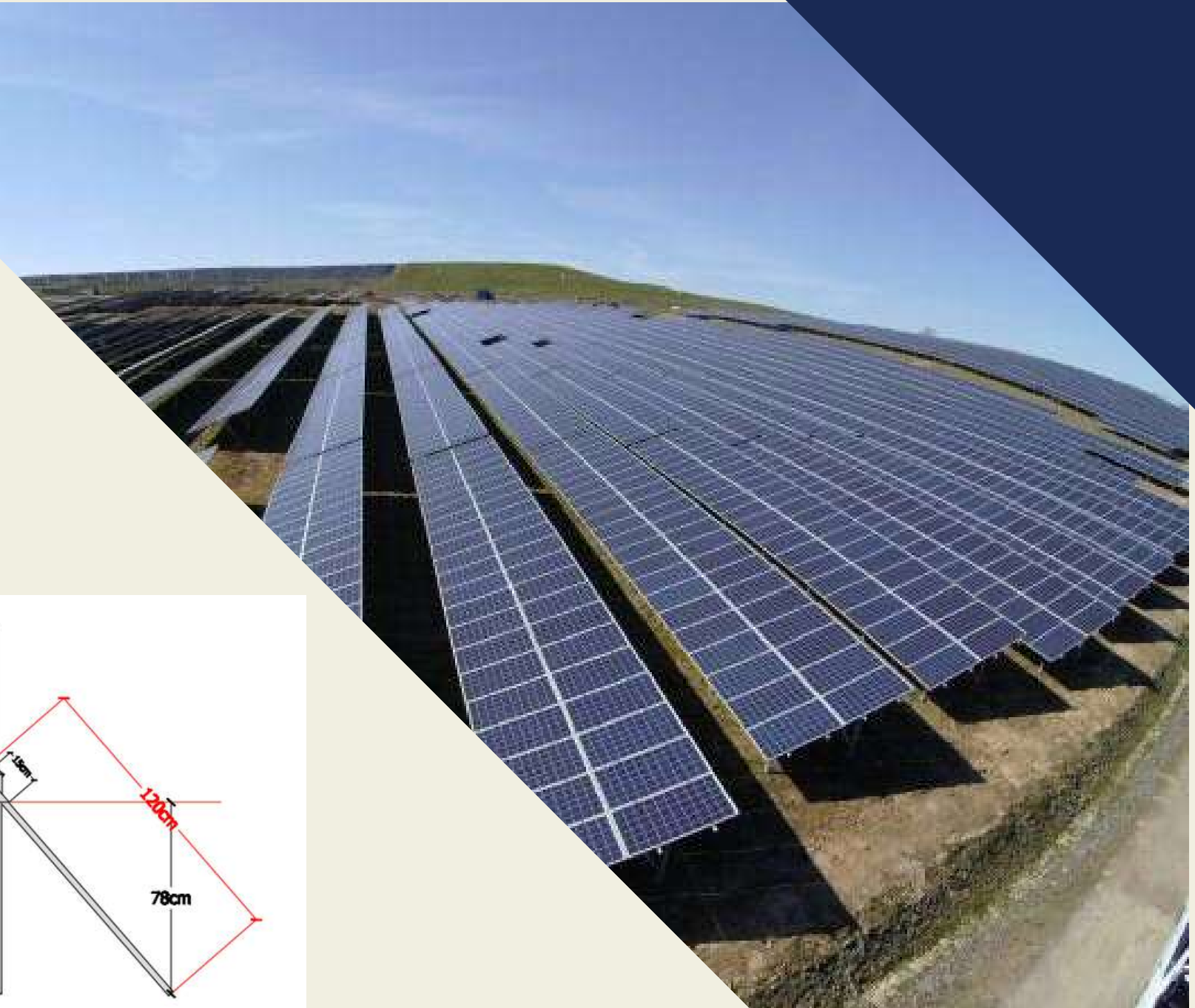


**INTERNATIONAL
PATENT**

LANDFILLS

TreeSystem is the best solution in case of **landfills** or sites with **limited depth availability**.

The patented system, consisting in four pins anchoring frames to the ground, offers the possibility to work on limited depth where standard ramming pile systems most of times cannot work.



[>> video](#)

SLOPED AREAS

TreeSystem can be installed even on **steep and multidirectional slopes**.

By adjusting frame legs – adjustable pillars – , the mounting system can be adapted to tilts up to 45° N-S, and it can be easily installed using a jackhammer.

There is no need for foundation works, and it's a great solution in places that are difficult to reach for heavy machinery.



SANDY SOILS AND DESERT AREAS

The structure provided by TreeSystem can be easily installed even in sandy areas such as deserts, offering:

- **Greater stability** compared to traditional anchoring systems on this type of soil. While common screws and piles rely only on ground friction, TS foundation creates stronger resistance as the soil weight holds down the anchor;
- **Easier installation** since heavy machinery is not required, and it can be mounted in environments where it is difficult to carry equipments, such as deserts.



ROCKY SOILS

TreeSystem offers significant advantages in case of installation on rocky soils. The presence of boulders, stones and rocks **does not compromise the applicability of the system.**

Pins can usually be driven through stones, breaking them. In case of hard rocks, it may be required to pre-drill and then install the pins.



ASPHALT LAYERS

TreeSystem anchoring system can be installed on existing asphalt layers avoiding expensive removal operations and waste material disposal.

In the event that under the asphalt layer there's a layer of gravel, it will be sufficient to pre-drill and then drive the pins in using a jackhammer.



OUR GROUND MOUNTING STRUCTURES



TreeSystem develops and designs PV ground mounting systems accordingly to the required specifications and standards of the installation area.

**EASY
INSTALLATION.**



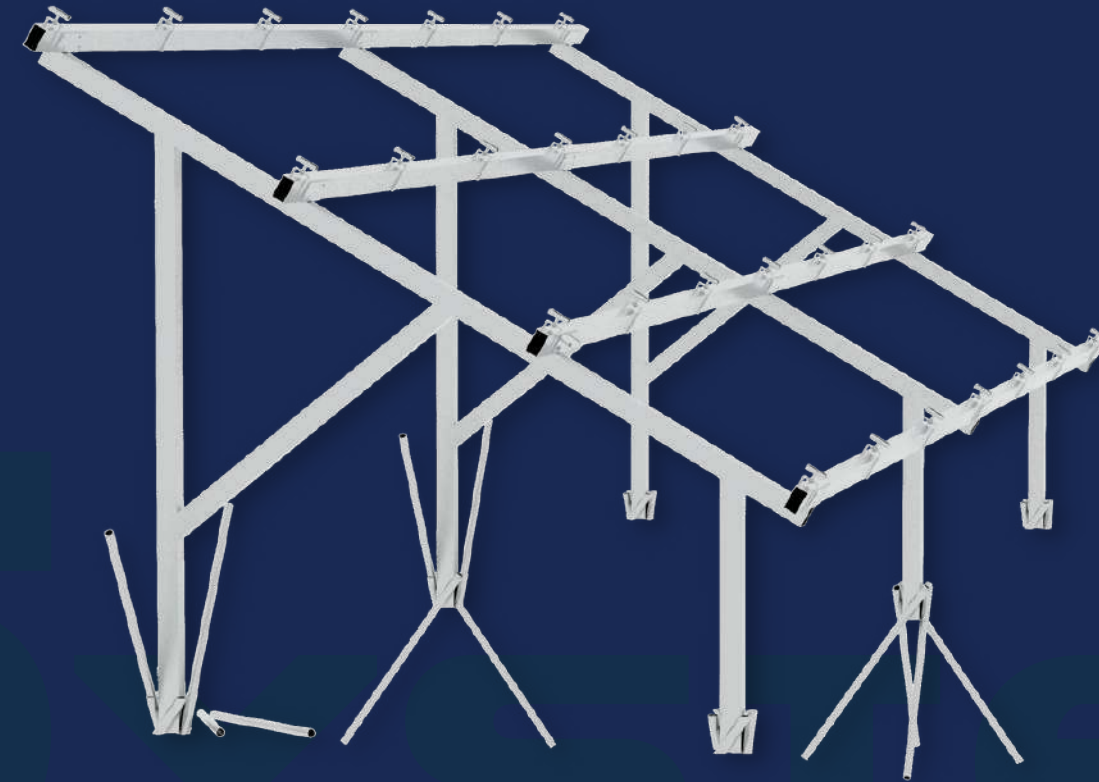
**GREAT
PERFORMANCES.**



**EFFICIENCY AND
COST REDUCTION.**



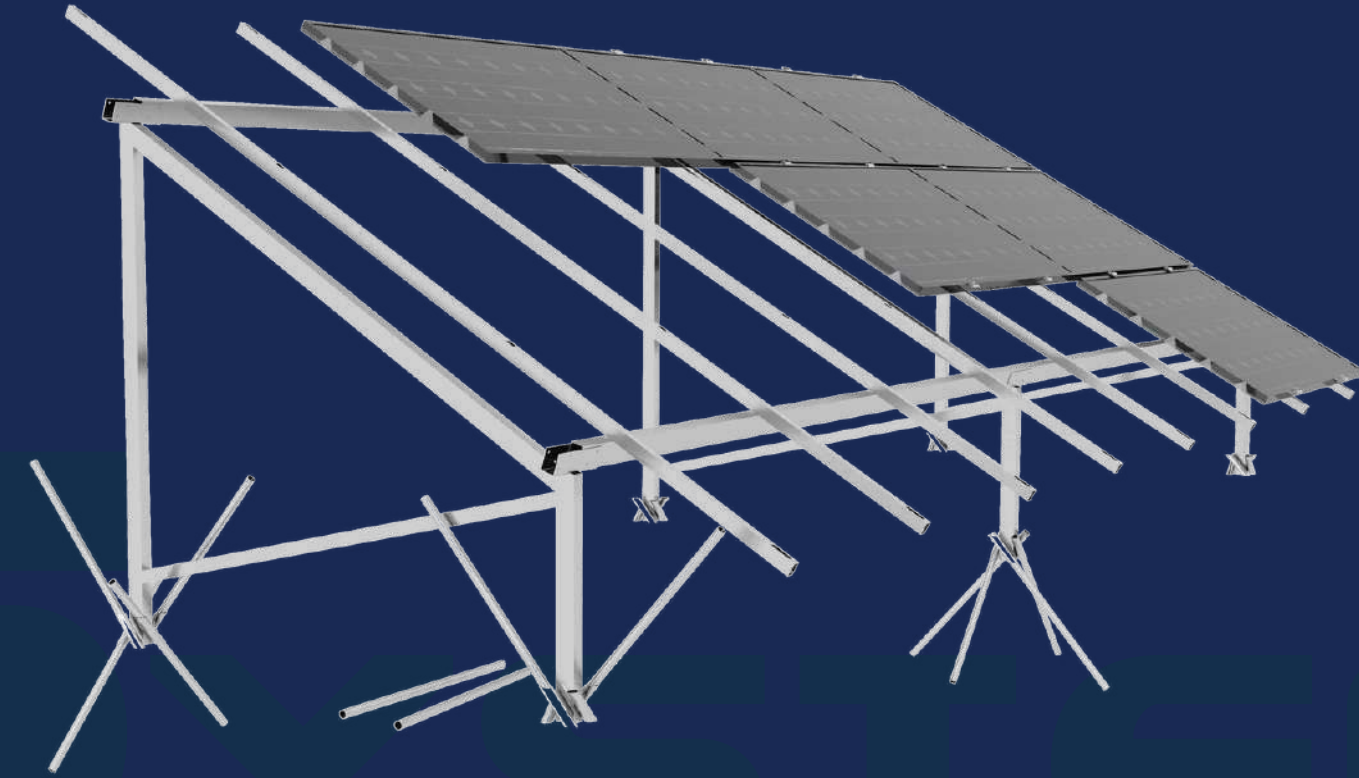
With our patented anchoring system, we work developing solutions with high quality standards. Efficiency and effectiveness are always in the first place.



STANDARD STRUCTURE

for **PORTRAIT** oriented panels (vertical)

- The best solution for flat and uneven terrain (with a slight slope up to 4° N-S and 10° E-W)
- Customizable tilt
- Up to 3 overlapping modules



STANDARD STRUCTURE

for **LANDSCAPE** oriented panels (horizontal)

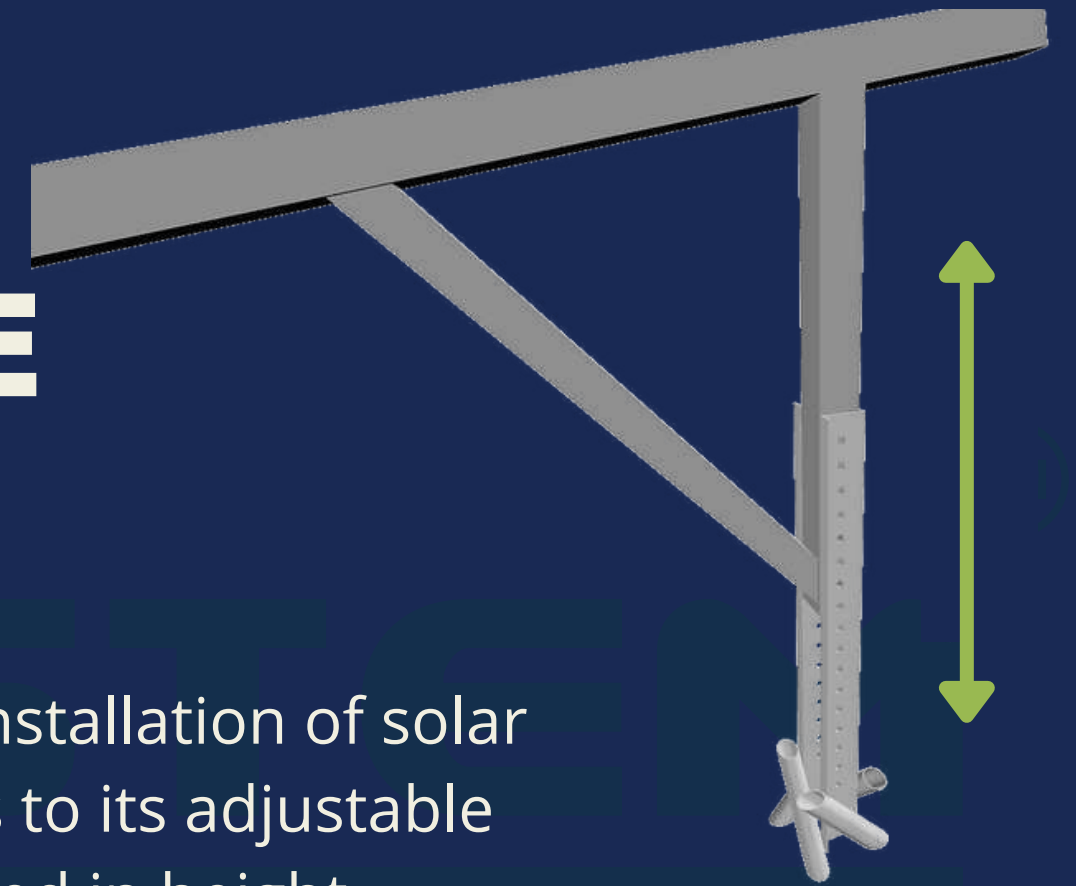
- The best solution for flat and uneven terrain (with a slight slope up to 4° N-S and 10° E-W)
- Customizable tilt
- 1 to 4 overlapping modules



ADJUSTABLE STRUCTURE

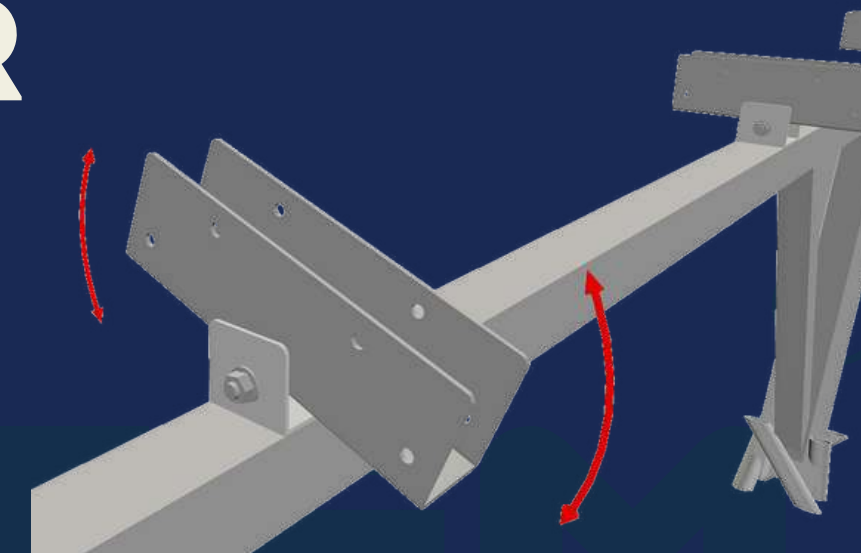
This structure is designed for installation of solar panels on steep slopes. Thanks to its adjustable pillars, the frame can be adjusted in height accordingly to the slope trend.

- Customizable tilt
- Portrait and landscape panel orientation
- 1 to 4 overlapping modules



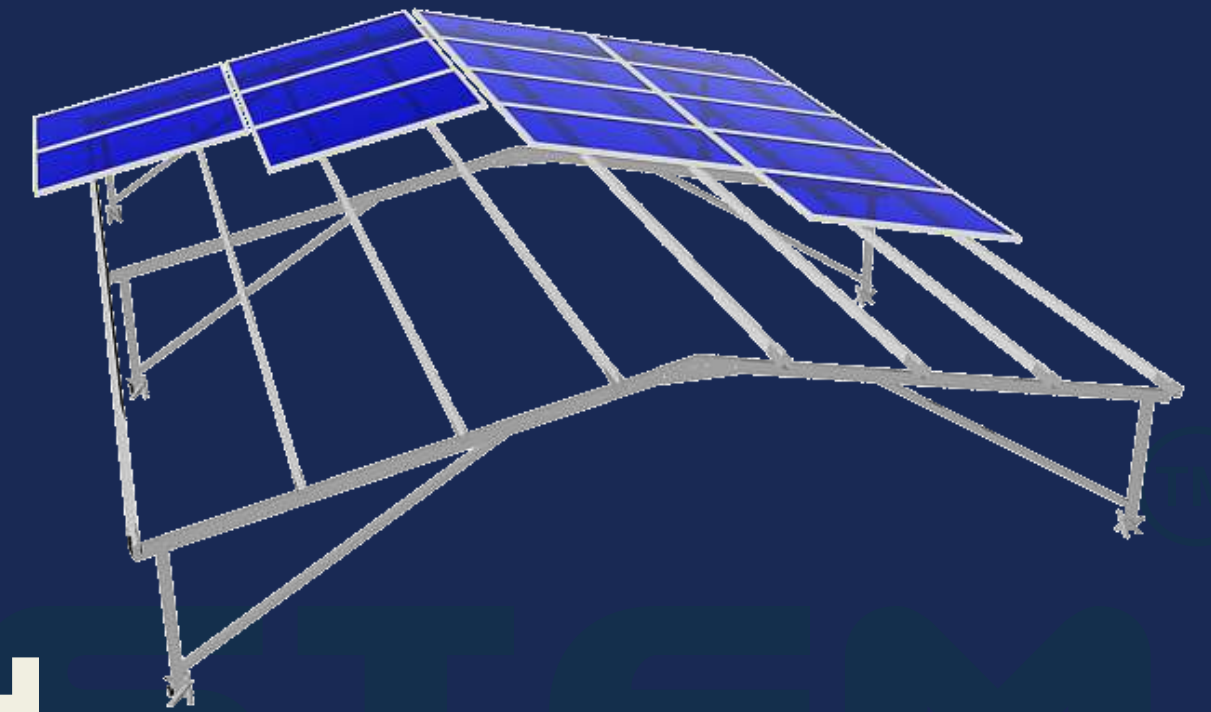


NS-EW ADJUSTABLE STRUCTURE FOR STEEP SLOPES



The best solution for N-S + E-W oriented steep slopes. The north-south direction is covered with the adjustable pillars, while a U-shaped profile faces the east-west direction, allowing the beams to be adjusted accordingly to the slope trend.

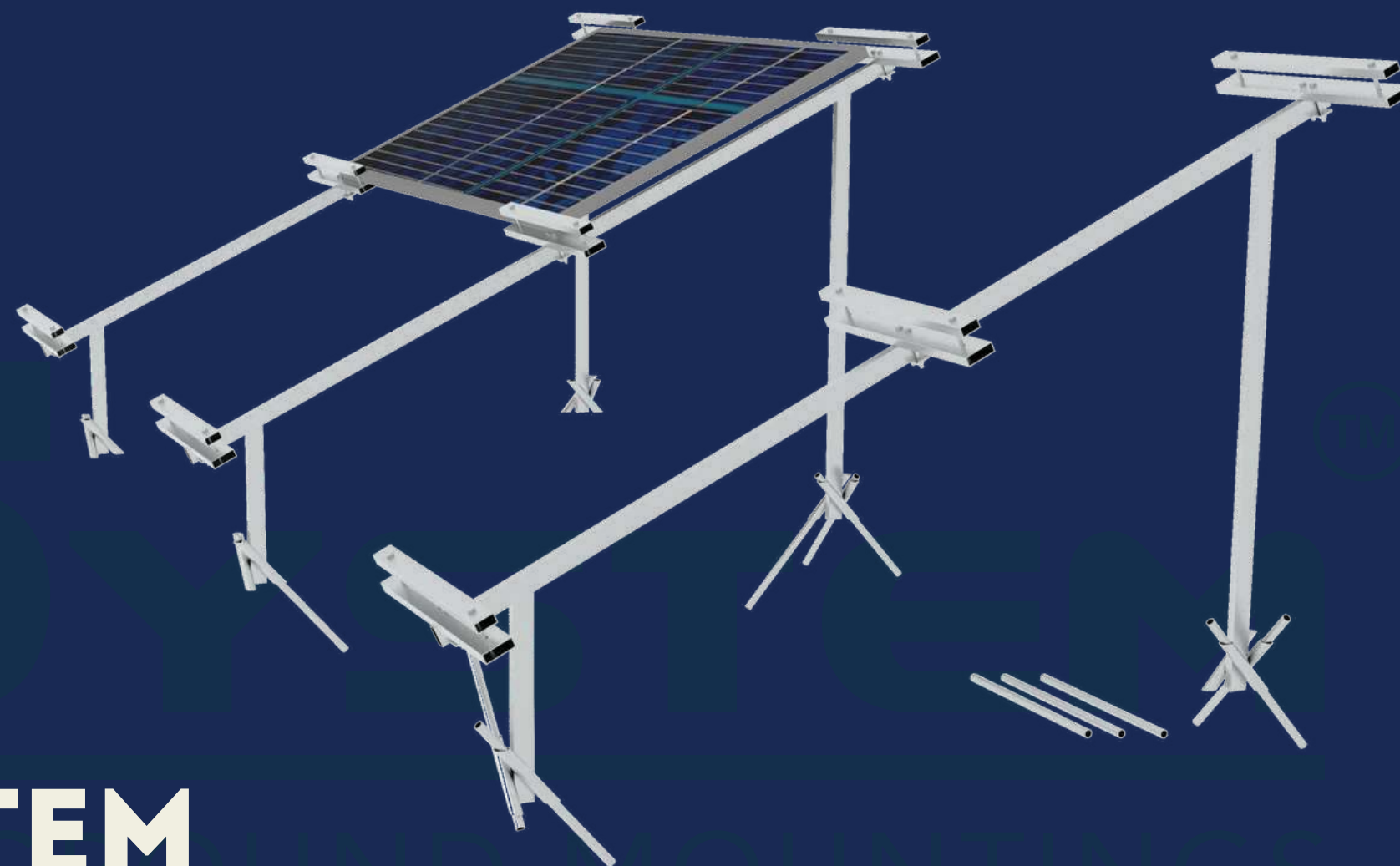
- Customizable tilt
- Portrait and landscape panel orientation
- 1 to 4 overlapping modules



DUO-PITCH STRUCTURE

Designed for the installation of modules with East-West orientation, it has the aim to optimize energy production.

- Customizable tilt
- Portrait and landscape panel orientation
- 1 to 4 overlapping modules



PV KIT SYSTEM

A kit model containing everything necessary for solar power generation in a pallet-sized box. No heavy machinery is required for installation as it can be assembled with common tools. Gantry can be adjusted without pre-installation. It has a 15° fixed tilt and can be used for modules between 990mm and 995mm.

SOLAR CARPORT

With its linear and effective design, the new TreeSystem Carport combines all the benefits of photovoltaics to those of a car shelter, providing short installation time and low invasiveness.

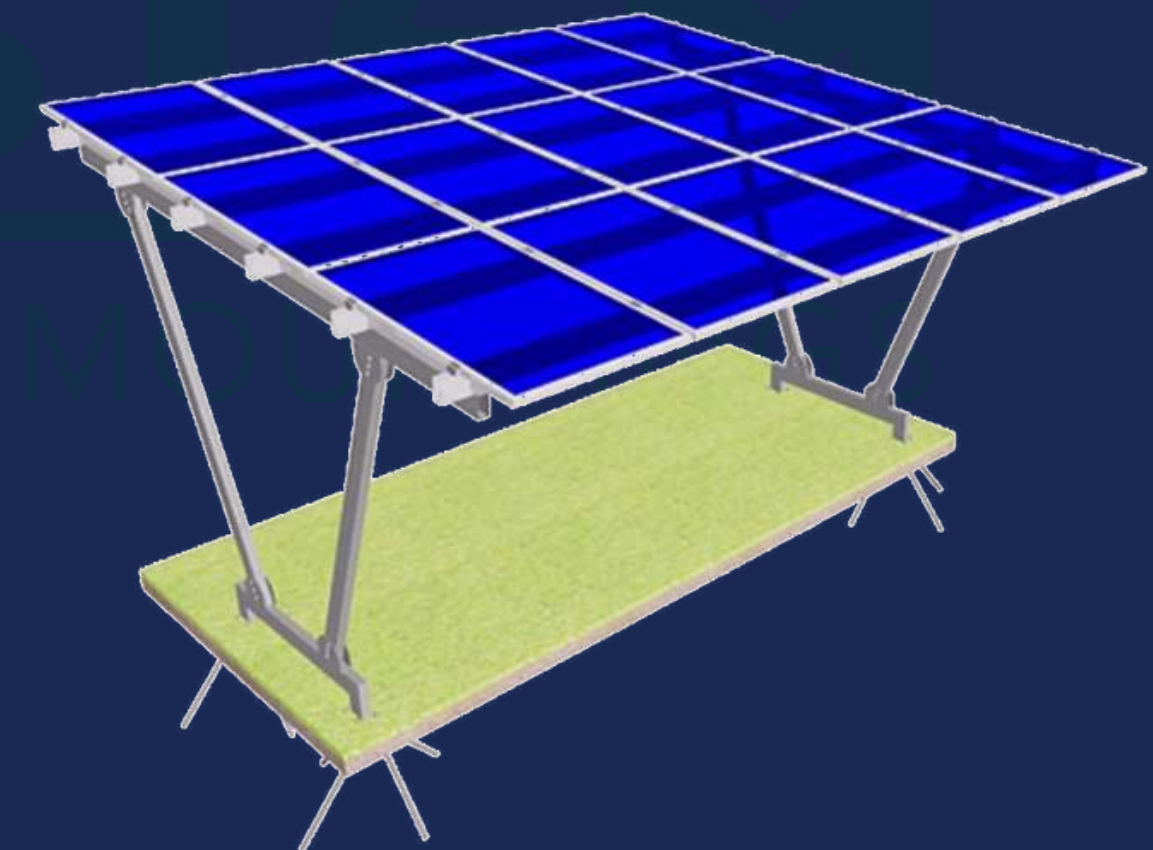
- 5° modules tilt
- 3 portrait-oriented overlapping modules
- No foundation works required



TreeSystem patented anchoring system



Plates for concrete plinth



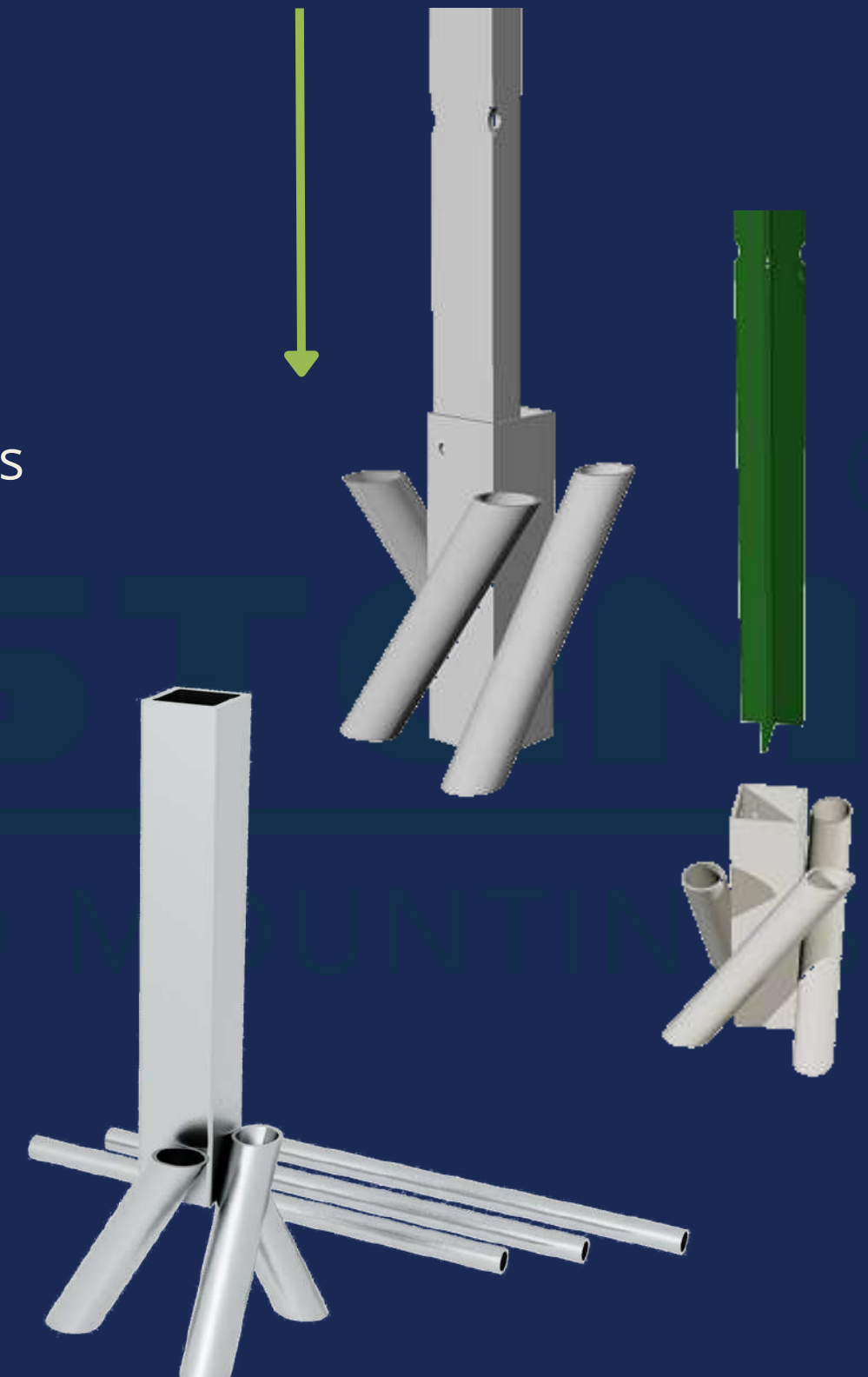


FENCES

TreeSystem applies its innovative anchor device to fencing systems as well, with all the advantages this technology offers.

Fence posts with integrated anchoring device are also available.

- Several heights available
- Possibility to install chain link fences, welded mesh, panels (galvanized or PVC coated)





Follow us on:



TreeSystem s.rl.

Registered office: Via Moraro 22, Pozzonovo (PD)

Head office and warehouse: Via E. Bernardi 2, Arre (PD)

VAT number: 04493170288

Ph. 049 785 1916

info and quotations: sales@treesystem.it



TreeSystem s.r.l.
Company presentation
copyright 2023